



100 10 1 0.1 0.01 0.001

SOLID STATE DESIGN AMPLIFIER MODEL 4010

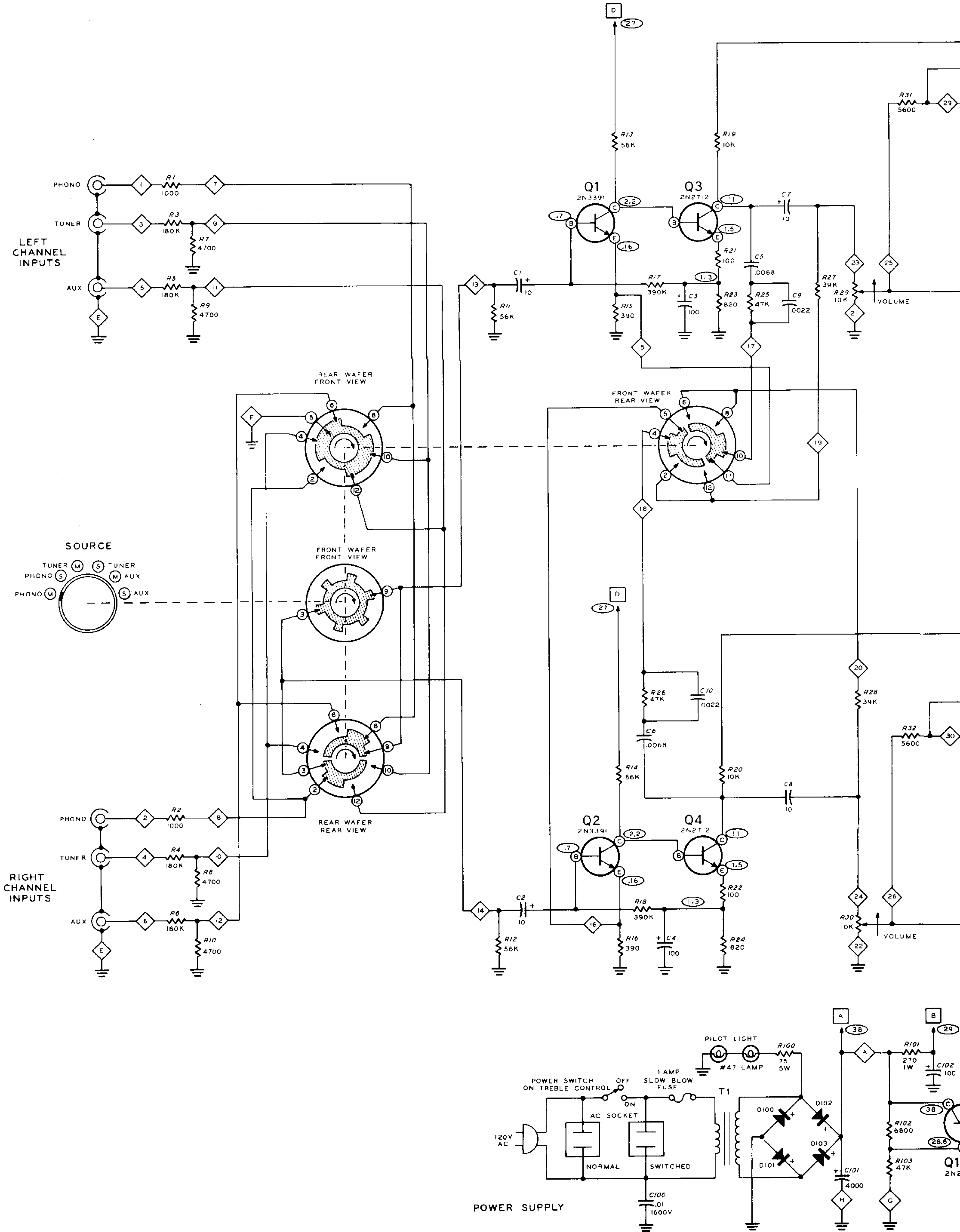
VOLUME

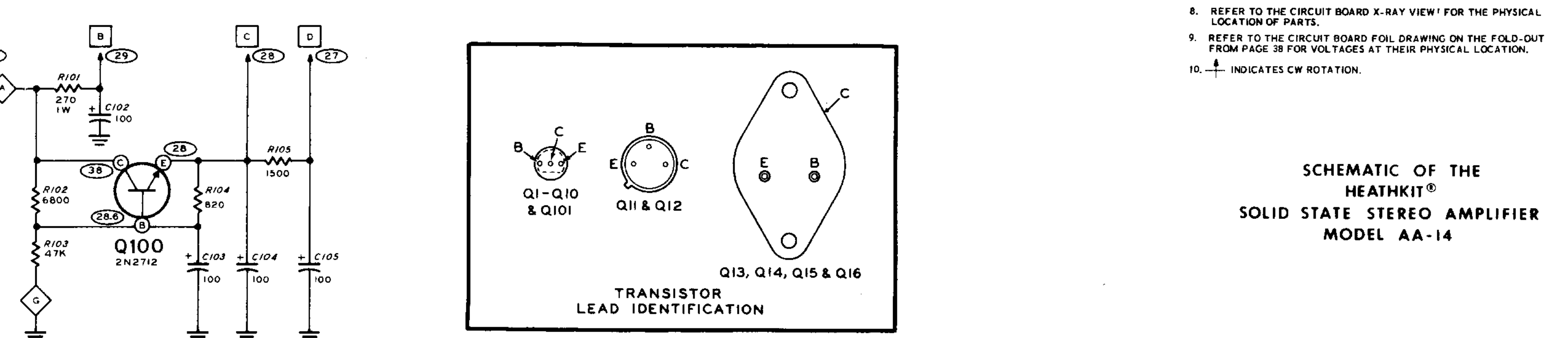
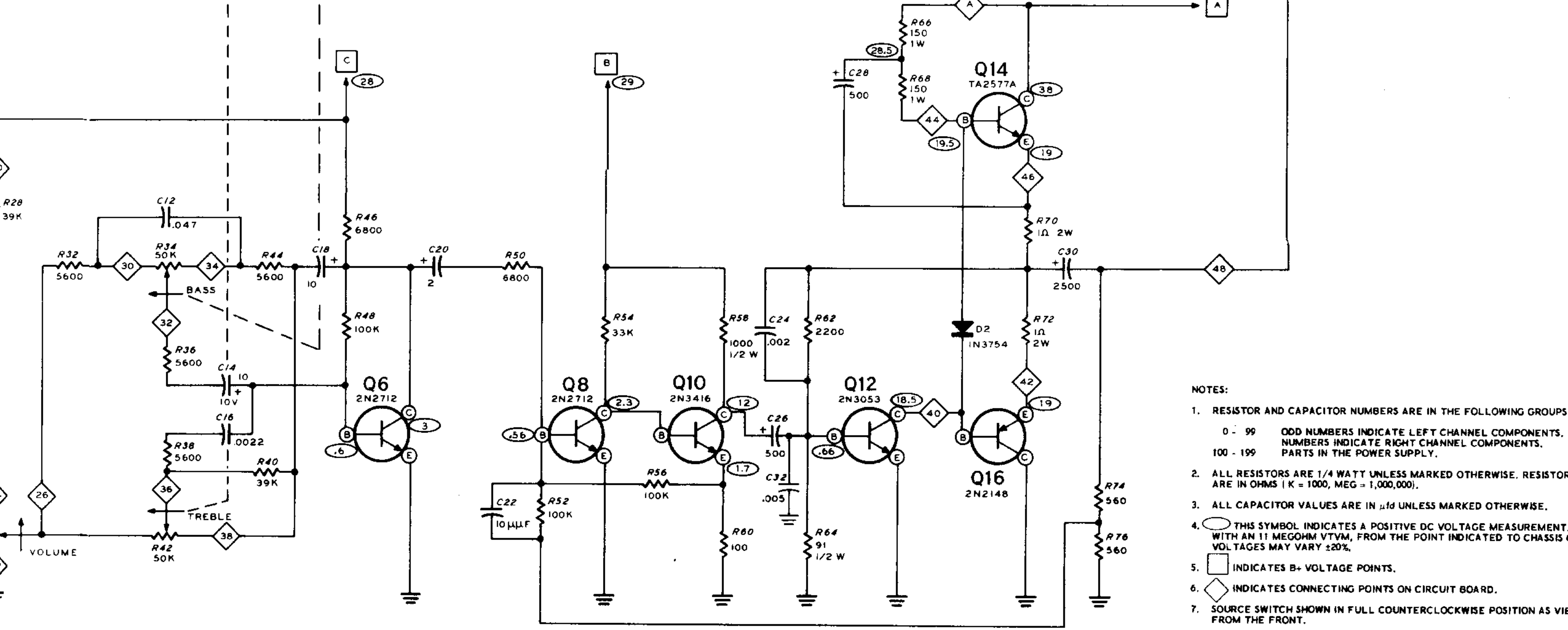
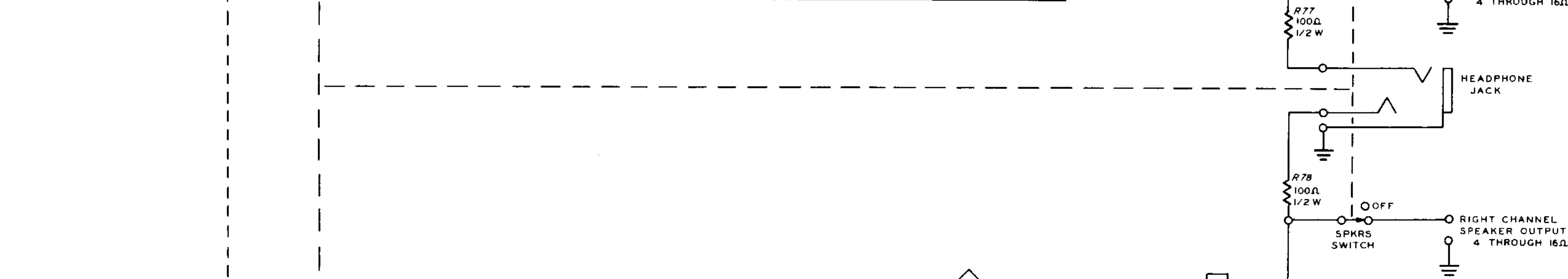
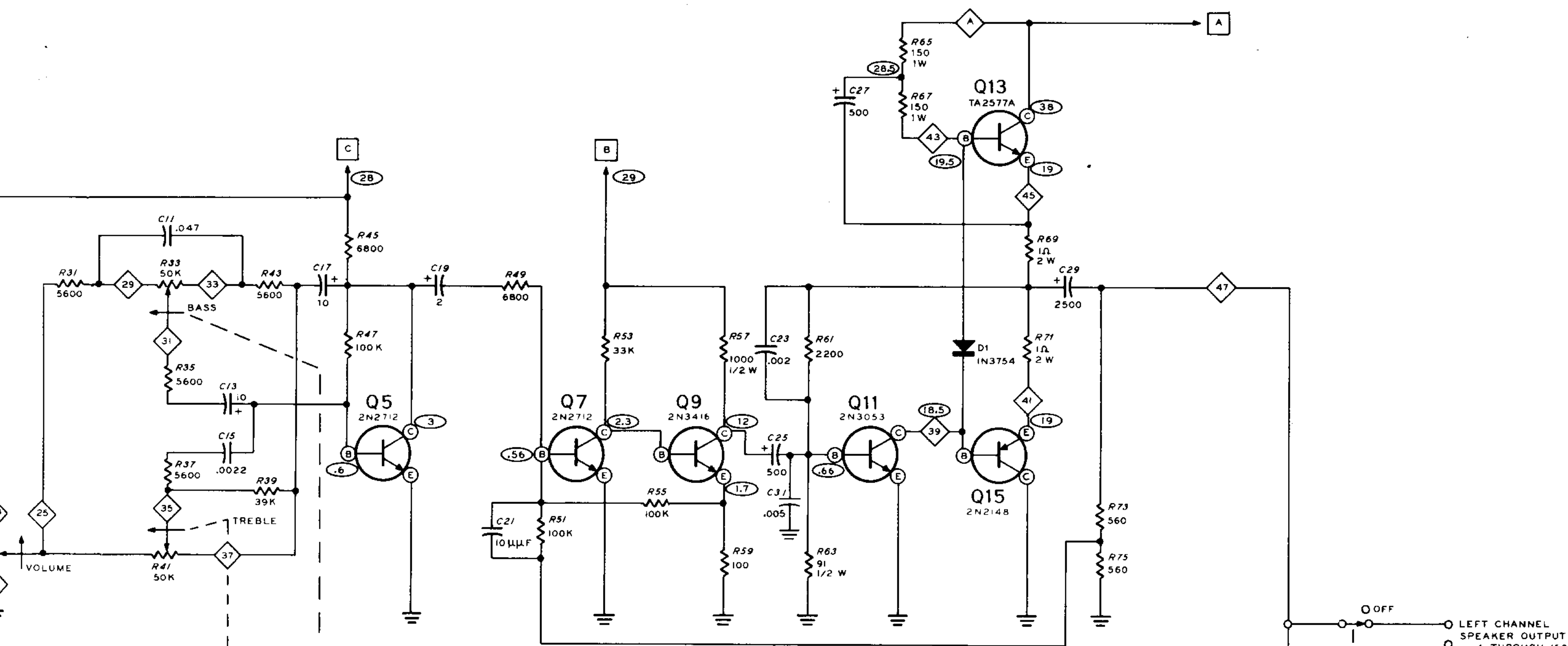
TONE

POWER

BASS

TREBLE





- NOTES:
- RESISTOR AND CAPACITOR NUMBERS ARE IN THE FOLLOWING GROUPS:
 0 - 99 ODD NUMBERS INDICATE LEFT CHANNEL COMPONENTS.
 100 - 199 EVEN NUMBERS INDICATE RIGHT CHANNEL COMPONENTS.
 200 - 299 PARTS IN THE POWER SUPPLY.
 - ALL RESISTORS ARE 1/4 WATT UNLESS MARKED OTHERWISE. RESISTOR VALUES ARE IN OHMS (K = 1000, MEG = 1,000,000).
 - ALL CAPACITOR VALUES ARE IN μF UNLESS MARKED OTHERWISE.
 - THIS SYMBOL INDICATES A POSITIVE DC VOLTAGE MEASUREMENT POINT. WITH AN 11 MEGOHM VTVM, FROM THE POINT INDICATED TO CHASSIS GROUND. VOLTAGES MAY VARY $\pm 20\%$.
 - INDICATES B+ VOLTAGE POINTS.
 - INDICATES CONNECTING POINTS ON CIRCUIT BOARD.
 - SOURCE SWITCH SHOWN IN FULL COUNTERCLOCKWISE POSITION AS VIEWED FROM THE FRONT.
 - REFER TO THE CIRCUIT BOARD X-RAY VIEW FOR THE PHYSICAL LOCATION OF PARTS.
 - REFER TO THE CIRCUIT BOARD FOIL DRAWING ON THE FOLD-OUT FROM PAGE 38 FOR VOLTAGES AT THEIR PHYSICAL LOCATION.
 - INDICATES CW ROTATION.

SCHMATIC OF THE
 HEATHKIT®
 SOLID STATE STEREO AMPLIFIER
 MODEL AA-14